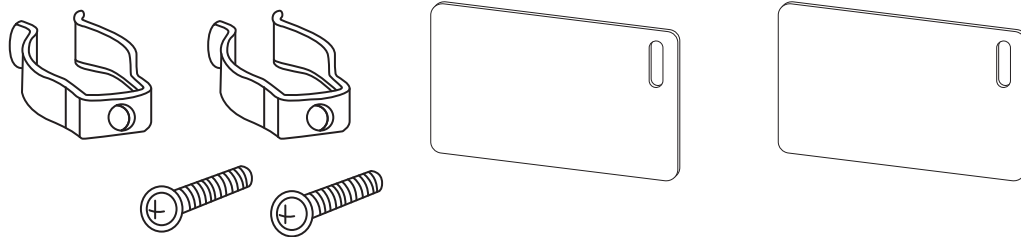




Microvisor Removable Extension Hood Side Panel

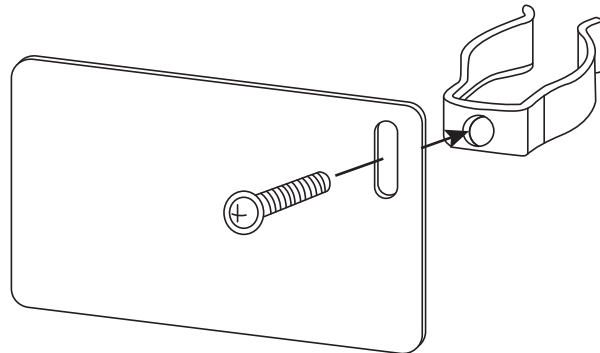
Microwave OTR units come in different sizes, and as a result can extend past the face of the adjacent cabinets. The side panels can close the gap between the method of attachment of the Microvisorhood and the face of the adjacent cabinets. The set of panels installs with a Phillips head driver.

1. Unpackage, and locate clips(2)/screws(2) and side panels(2)



2. Start by taking the first panel and clip along with set screw. Rotate the side panel so that the slot on the one side is facing to the right and upward. Take the clip and place it behind the panel, locate screw hole on clip and align with the slot on the panel, take the screw and insert through the panel into and the clip, do not tighten yet. Repeat the same steps for second panel in reverse.

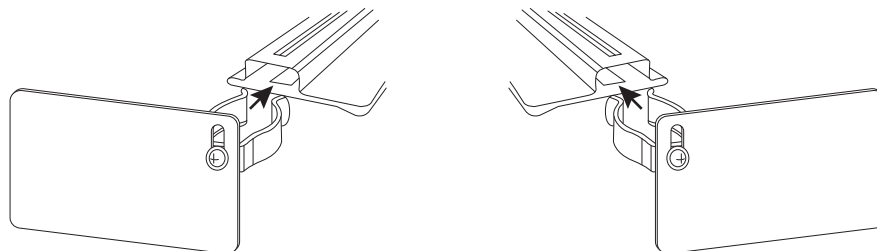
See image:



3. Installation:

Take the first panel with clip facing forward and push the clip into the open end of attaching bracket. The compression of the clips should go front to back, in the ends of the bracket, not up and down. Once the clip and panel are installed, rotate the panel upwards, towards the cabinets, level and tighten the screw with Phillips driver.

See image:



Repeat steps on the other side with the 2nd panel.

Enjoy your new side panels and complete fit of the Microvisor product.